

## 功能敘述

音樂內容：兒歌12首

1. Five Little Ducks
2. Down The Mountain Side We Go
3. Twinkle Twinkle Little Star
4. Home On The Range
5. The Fireman
6. Spring is Coming
7. Clementine
8. Did You Ever See a Lassie
9. Rock A Bye Baby
10. Three Blind Mice
11. The Farmer in the Dell
12. Bingo

觸發方式：OKY: L/U/R, Level-Sequential

輸出信號：IO1: Flash with melody (Sink)

IO2: Flash with melody (Sink)

## 直流參數

電源電壓 VDD: 1.8 ~ 5.5V

靜態電流  $I_{sb} \leq 0.1\mu A @ 3V$

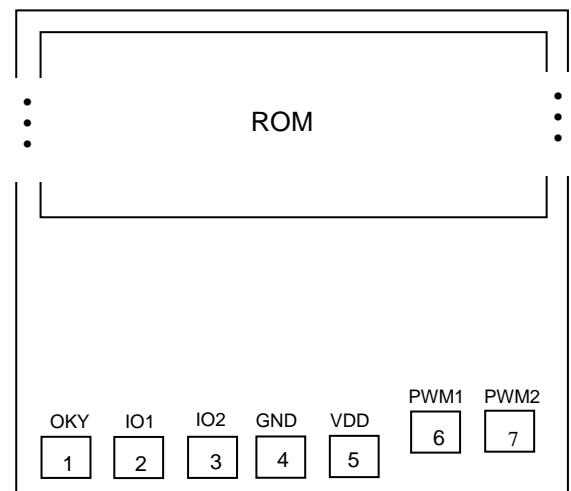
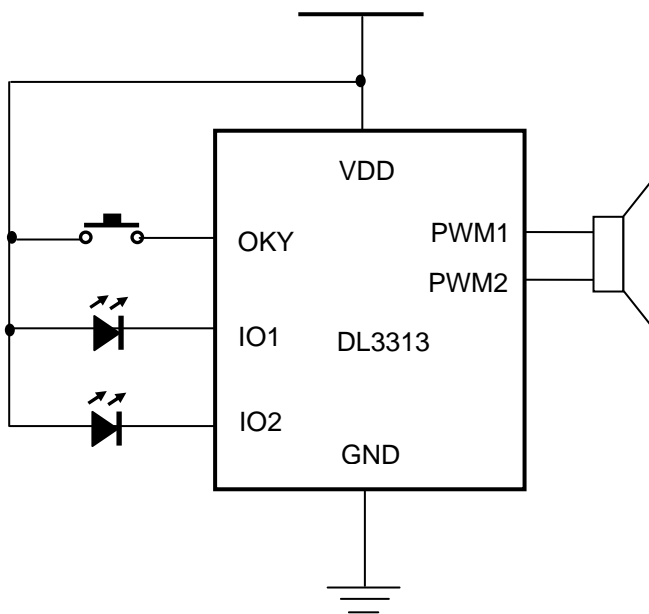
工作電流 (無負載)  $I_{op}: 0.5mA @ 3V$

IO輸入電流  $I_{ih}: 4\mu A @ 3V$

IO輸出電流  $I_{ol}: 20mA @ 3V$

內置震盪電阻 INT\_OSC: +/- 1.5% 誤差

## 應用線路和邦定腳位圖



晶片尺寸: X=840  $\mu m$ , Y=956  $\mu m$

焊墊尺寸: 80  $\mu m$  x 80  $\mu m$

晶片底盤為懸空或接地

\* 不需外加震盪電阻和104電源電容